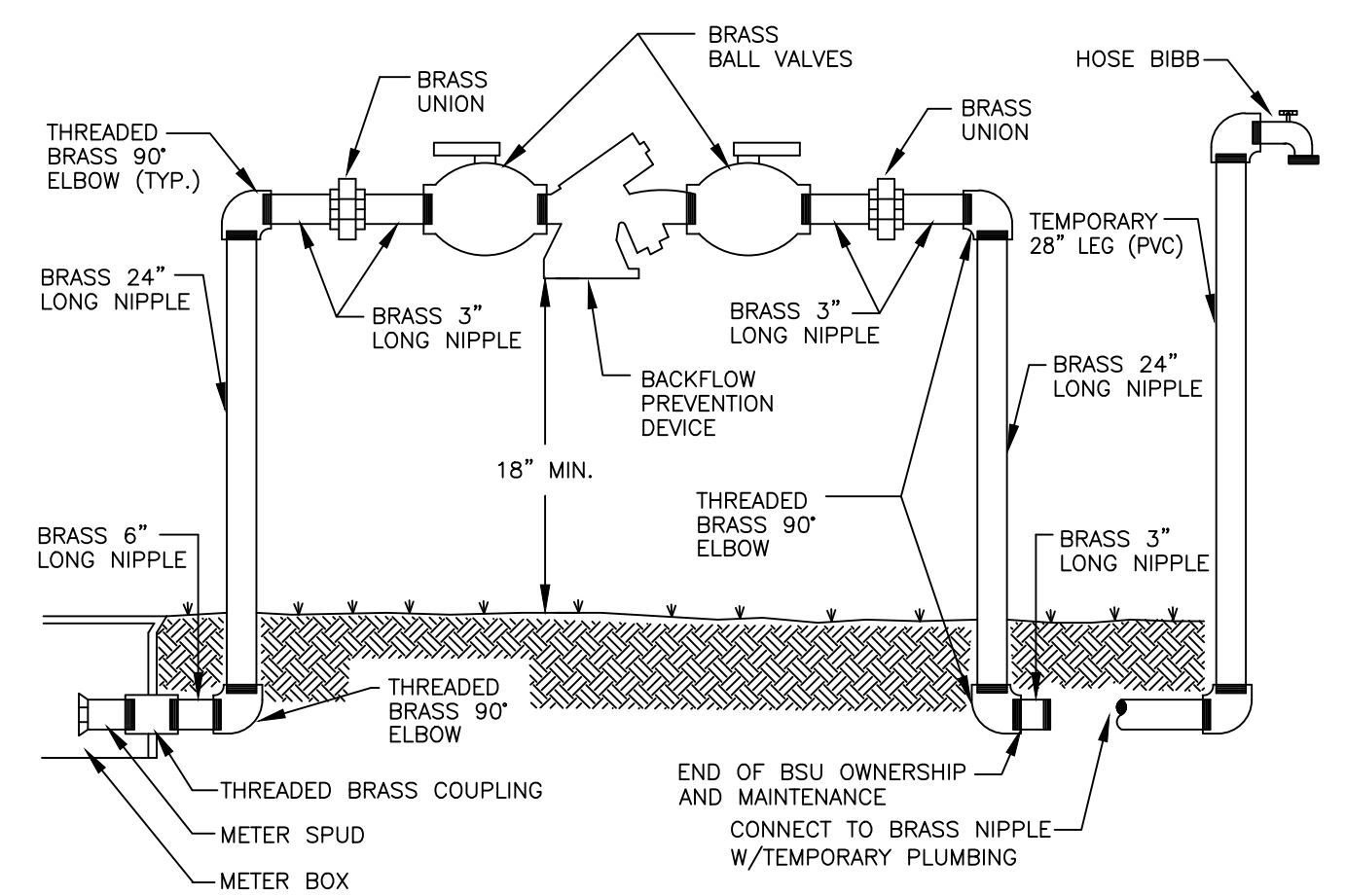


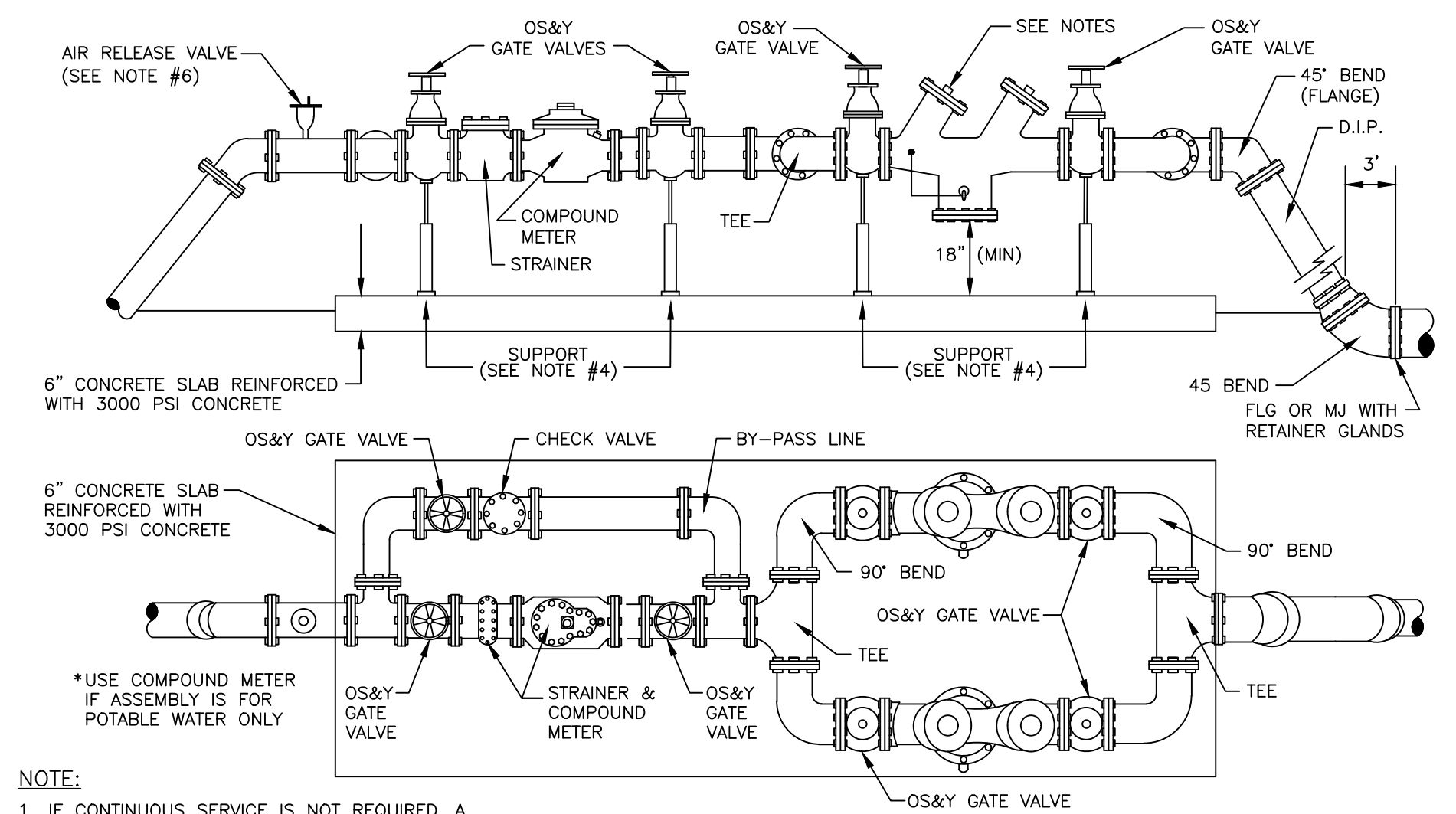
- NOTES:**
1. METER SIZE DETERMINES CONFIGURATION SIZE BETWEEN TEE "A" & "B".
 2. ENTIRE APPARATUS TO BE PAINTED WITH UV RATED PAINT (EXCEPT METER).
 3. CONSULT BSU "BACKFLOW PREVENTION CROSS CONNECTION CONTROL PROGRAM" FOR APPROVED SIZES, MODEL NUMBERS & MANUFACTURERS.
 4. "N" STYLE BACKFLOWS REQUIRE A LOCATION FOR AN AIR RELEASE VALVE.

STANDARD METER/BACKFLOW ASSEMBLY DETAIL
(3" OR LARGER)
BF-1



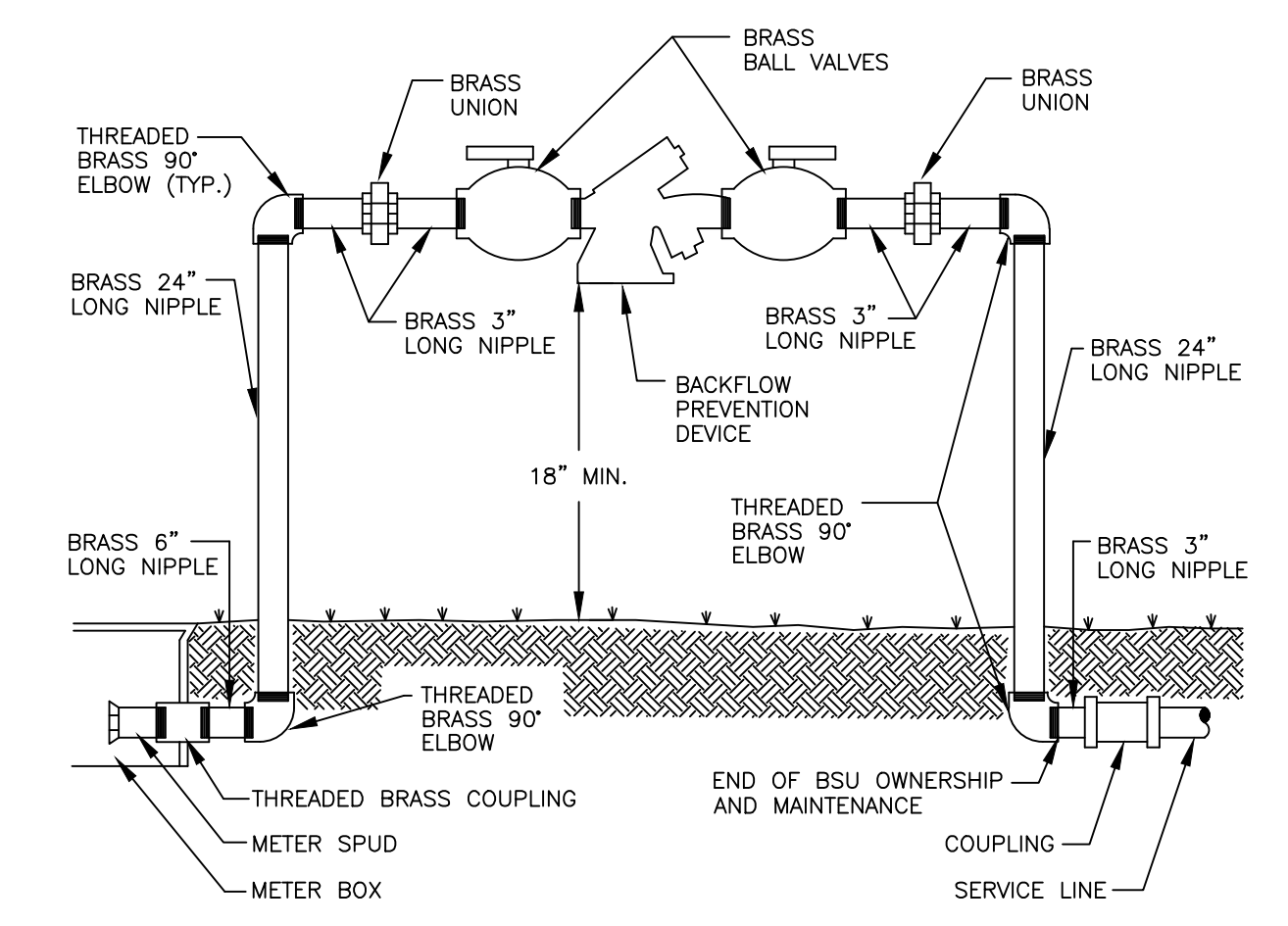
NOTE:
DEVICE DEPENDENT
ON DEGREE OF HAZARD.

CONTRACTOR'S TEMPORARY HOSE BIBB BACKFLOW PREVENTION DEVICE 3/4", 1", 2"
(INSTALLED BY BUILDER)
BF-5



- NOTE:**
1. IF CONTINUOUS SERVICE IS NOT REQUIRED, A SINGLE BACKFLOW PREVENTER MAY BE INSTALLED, AND TEES AND BENDS ELIMINATED.
 2. DEVICE DEPENDENT ON DEGREE OF HAZARD.
 3. METER BYPASS LINE OPTIONAL, DEPENDENT ON CUSTOMER NEEDS/CONTINUOUS SUPPLY DURING METER REPAIR.
 4. SUPPORT TO BE STAINLESS STEEL.
 5. CONSULT BSU "BACKFLOW PREVENTION CROSS CONNECTION CONTROL PROGRAM" FOR APPROVED SIZES, MODEL NUMBERS & MANUFACTURERS.
 6. "N" STYLE BACKFLOWS REQUIRE A LOCATION FOR AN AIR RELEASE VALVE.


3" OR LARGER COMPOUND METER AND BACKFLOW PREVENTER
(ONLY WITH BSU PRIOR APPROVAL)
BF-2



NOTE:
DEVICE DEPENDENT
ON DEGREE OF HAZARD.

BACKFLOW PREVENTION DEVICE 3/4", 1", 2"
(NEW INSTALLATIONS BY BSU, EXCEPT FOR BACKFLOWS ON FIRE LINES)
BF-3

CONSULTANT'S COMMENTS:

B.S.U. DETAIL SHEETS MUST REMAIN AS IS (NO ALTERATIONS) IF ADDITIONAL DETAILS ARE REQUIRED SUBMIT ON SEPARATE SHEET		
CLIENT:	PROJECT:	
	TITLE: BACKFLOW DETAILS	SCALE: NOT TO SCALE
	DATE: JANUARY 2018	
	11900 E. TERRY STREET BONITA SPRINGS, FLORIDA 34135 PHONE: (239) 992-0711 FAX: (239) 992-9223	
DETAIL BF-4 DELETED	DWG #: BAKFLW.DWG	SHEET OF