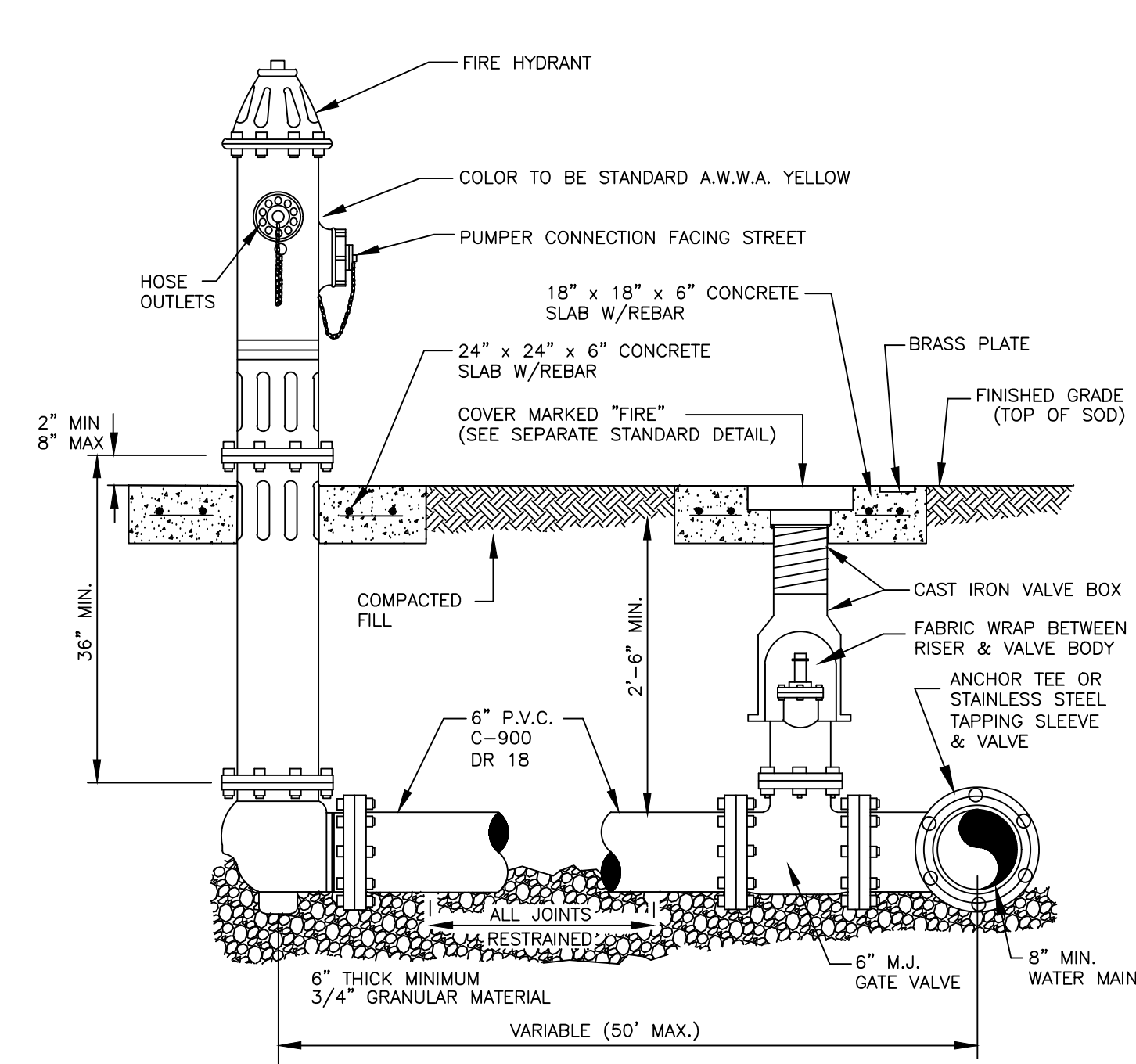
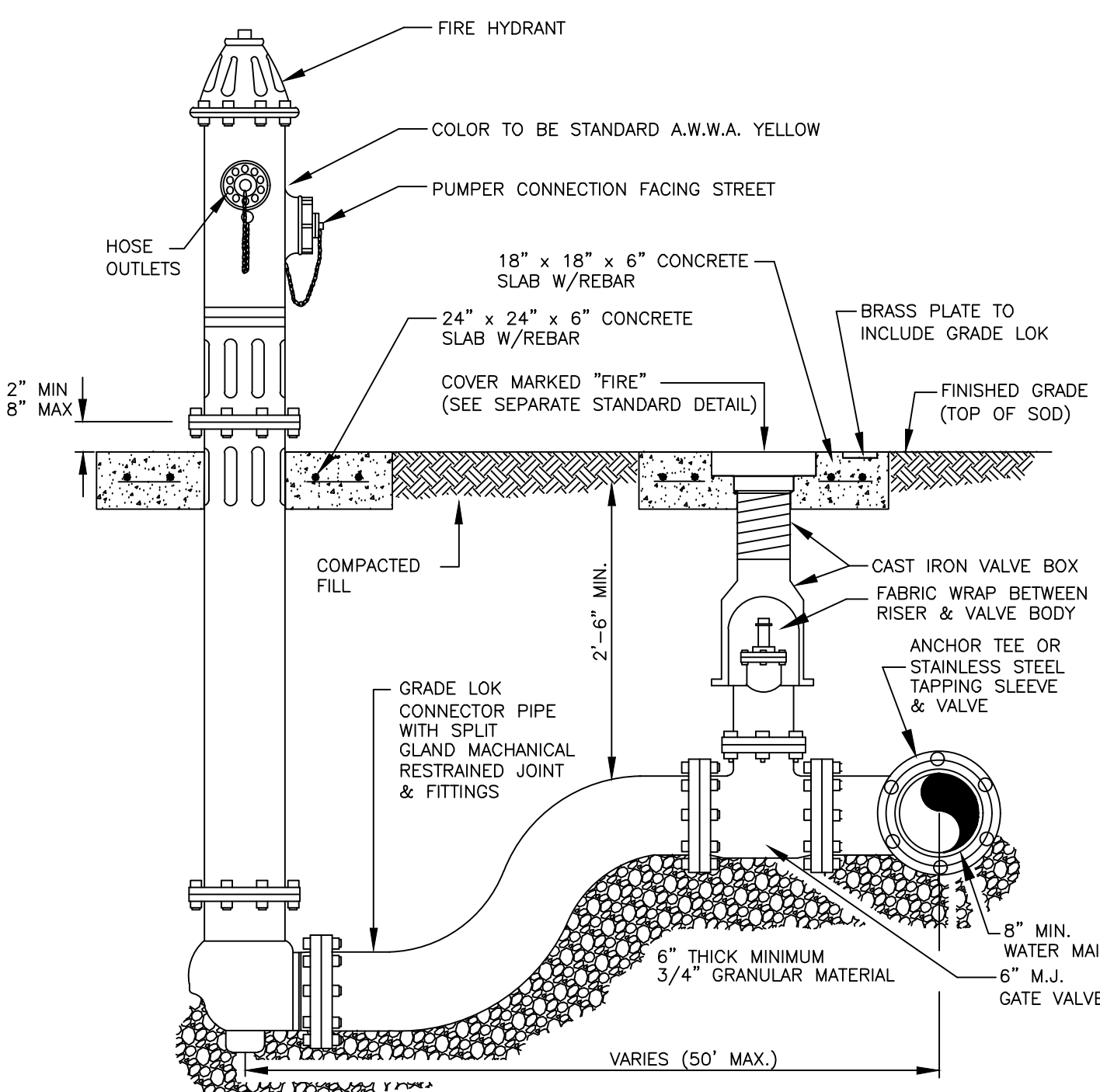


- NOTES:**
1. CONNECTION TO BE WITNESSED BY BONITA SPRINGS UTILITIES
 2. SYSTEM JUMPER ASSEMBLY MUST BE INSTALLED WITHIN 48 HOURS AFTER FULL BORE FLUSH

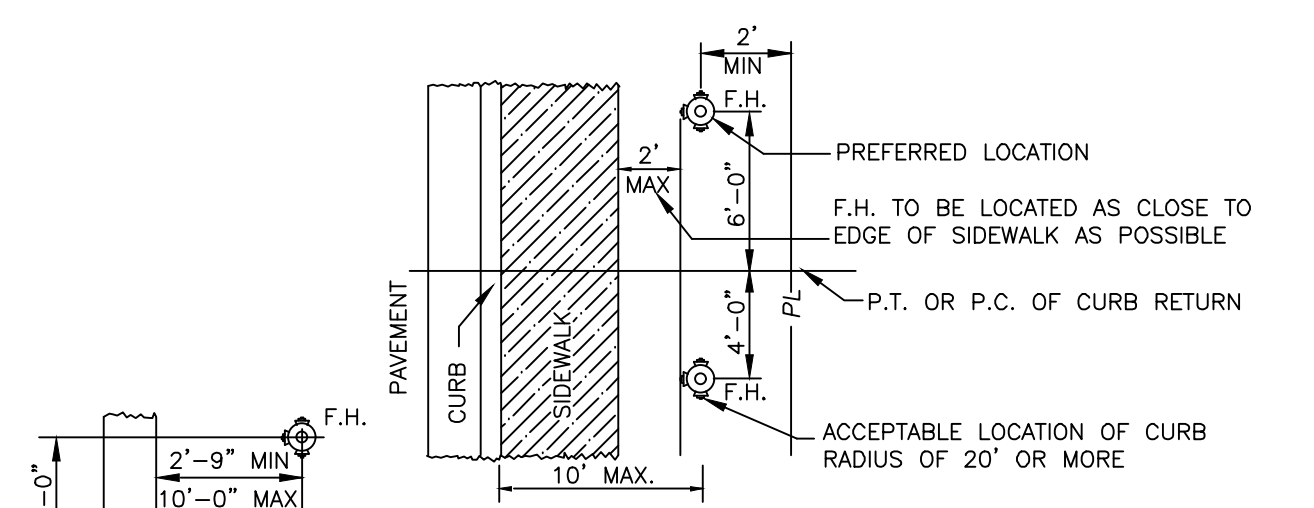
CONSTRUCTION JUMPER ASSEMBLY
W-1



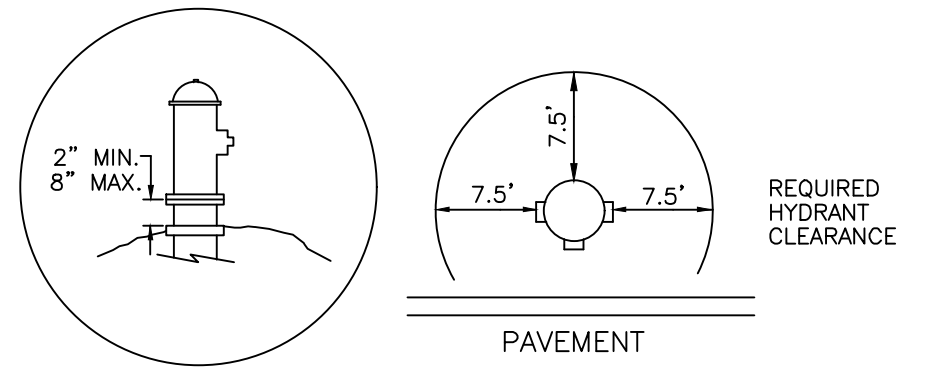
FIRE HYDRANT ASSEMBLY
W-2



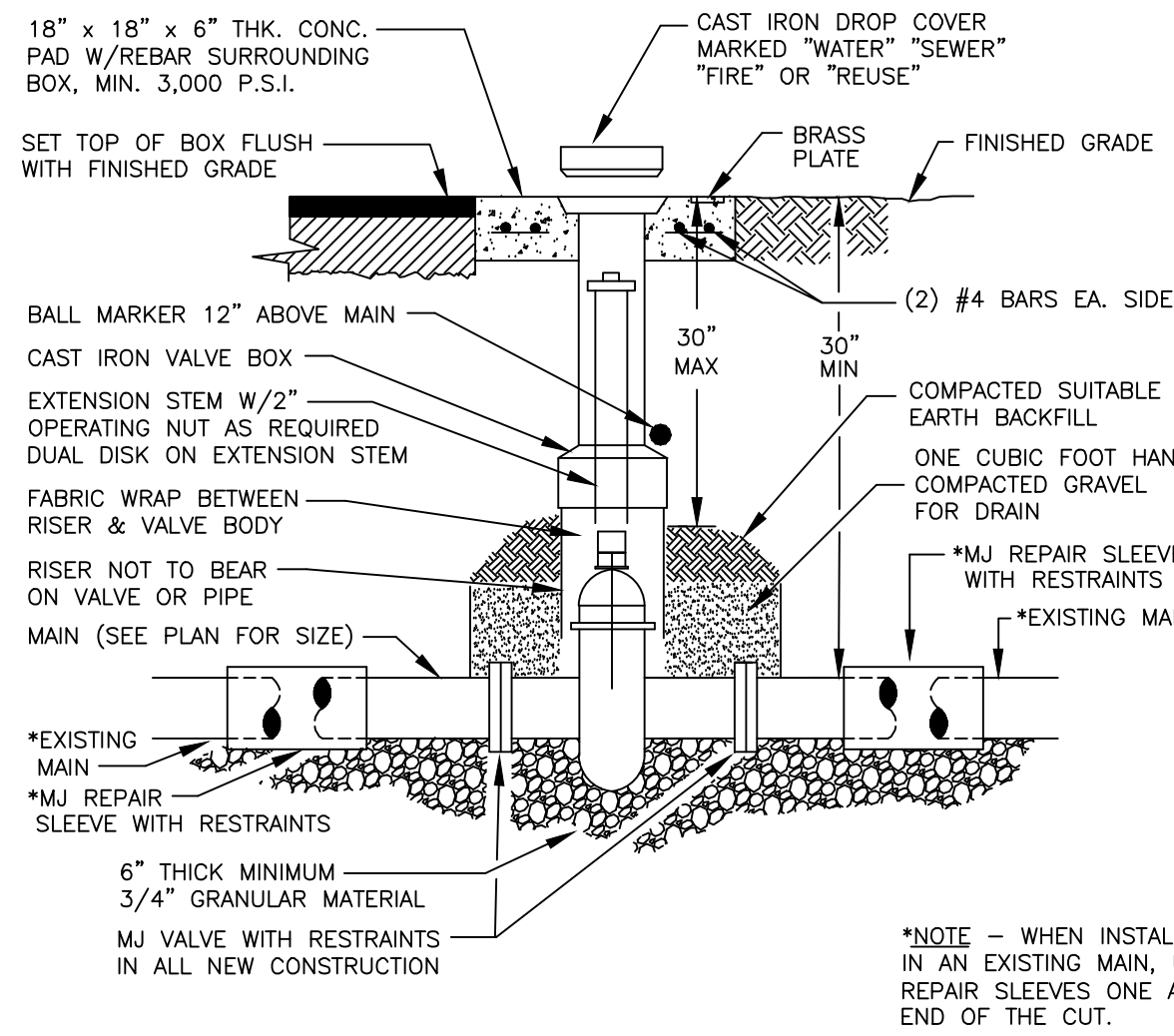
FIRE HYDRANT ASSEMBLY WITH GRADE-LOK ADAPTOR
W-3



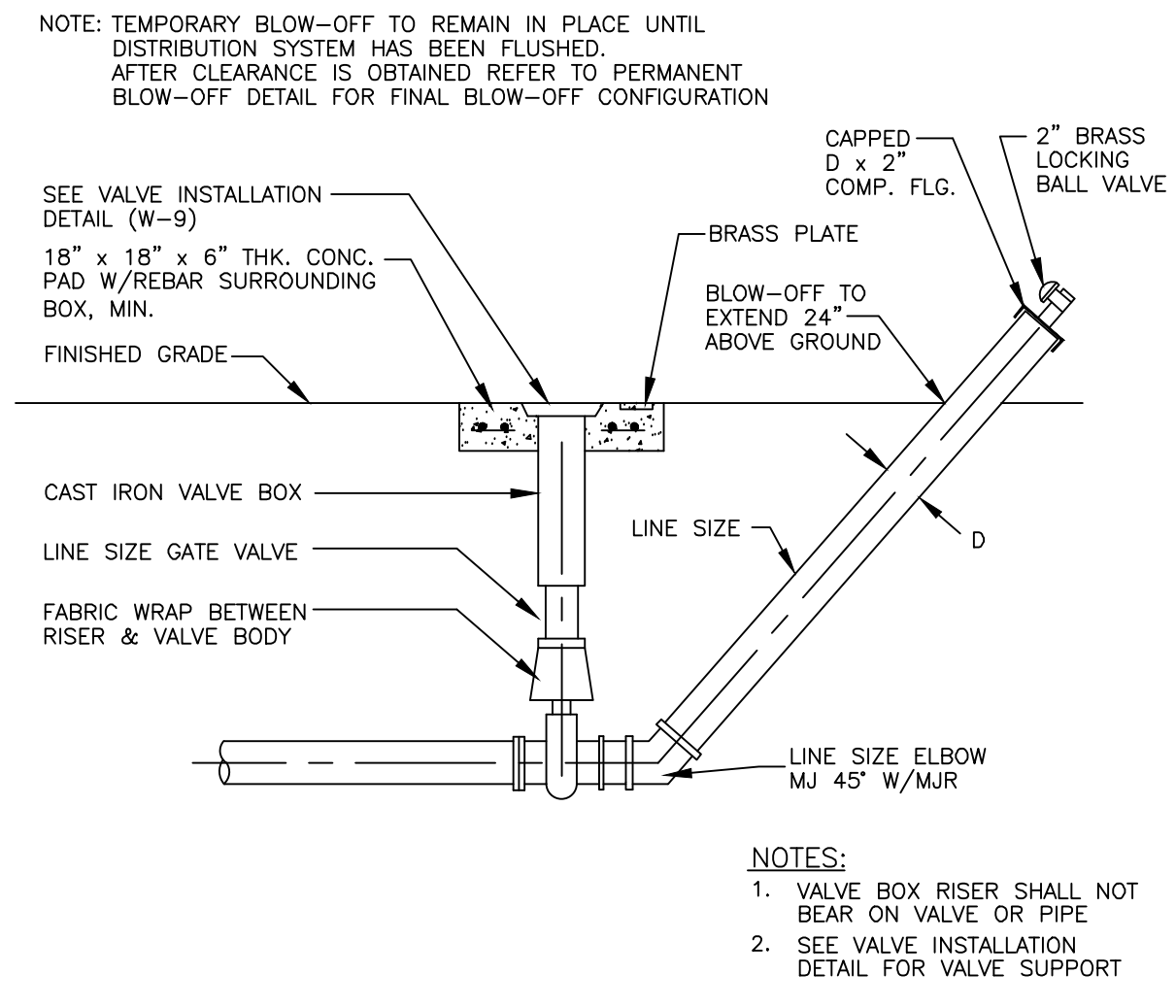
- NOTES:**
1. OBSTRUCTIONS SUCH AS UTILITY POLES, STREET SIGNS, IRRIGATION BOXES, FENCES, LANDSCAPING, ETC. MUST NOT BE PLACED BETWEEN CURB AND HYDRANT.
 2. SOME LOCATIONS APPLY AT EITHER END OF CURB RETURNS.
 3. DIMENSION SHOWN ON CONSTRUCTION DRAWINGS SUPERCEDE LOCATIONS SHOWN HERE.
 4. PIPE BOLLARDS MAY BE APPROVED OR REQUIRED AT THE DISCRETION OF BSU.



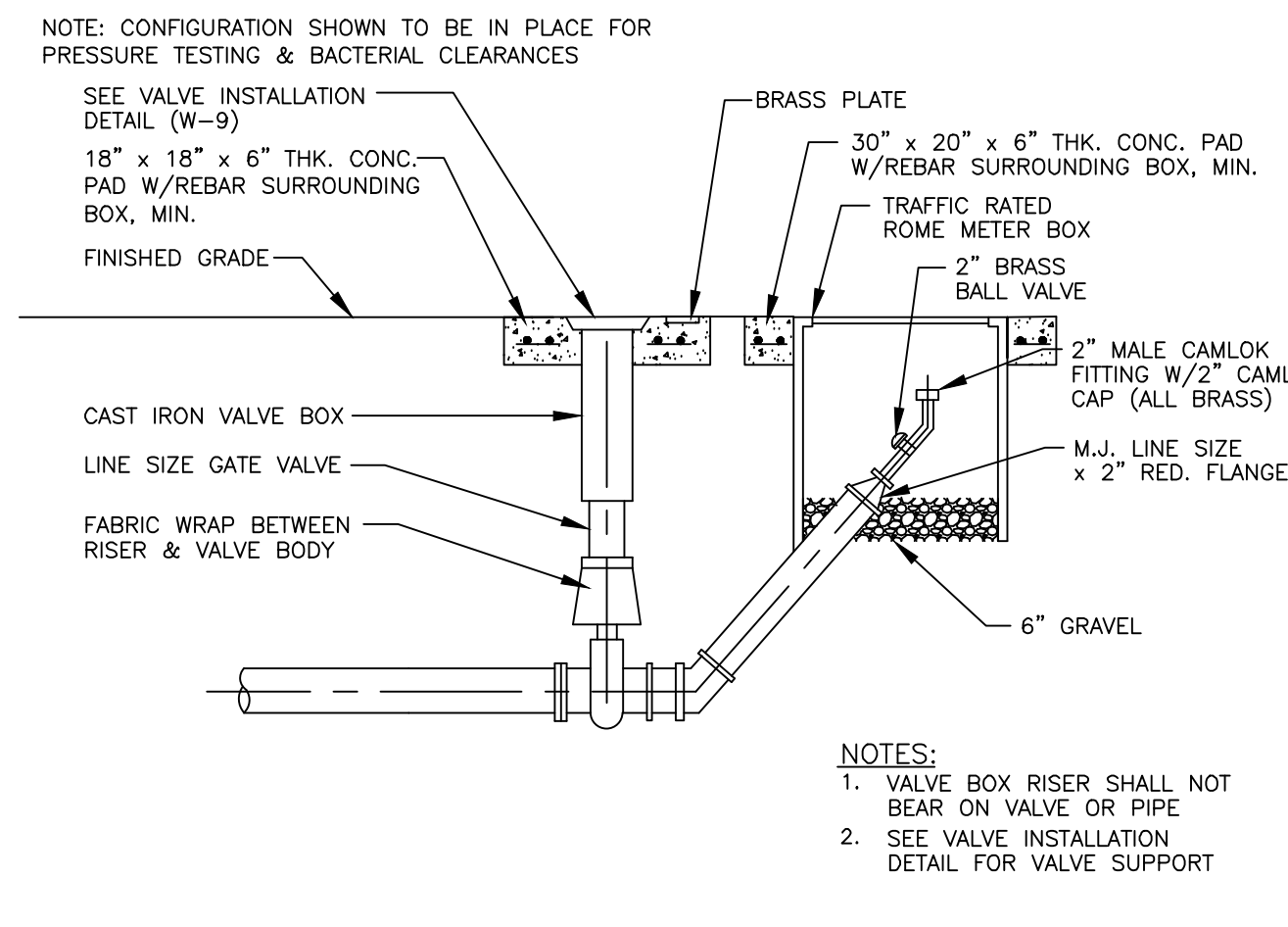
FIRE HYDRANT LOCATIONS/CLEARANCE
W-4



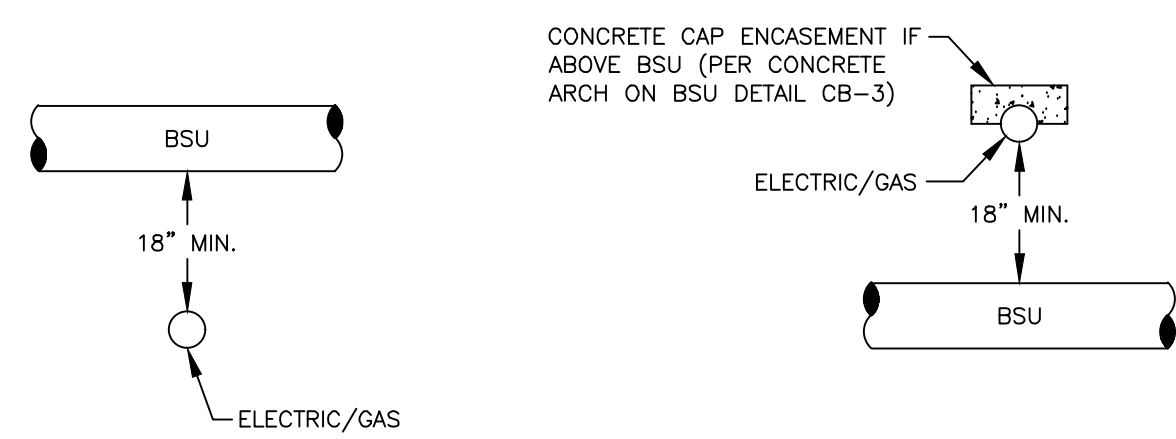
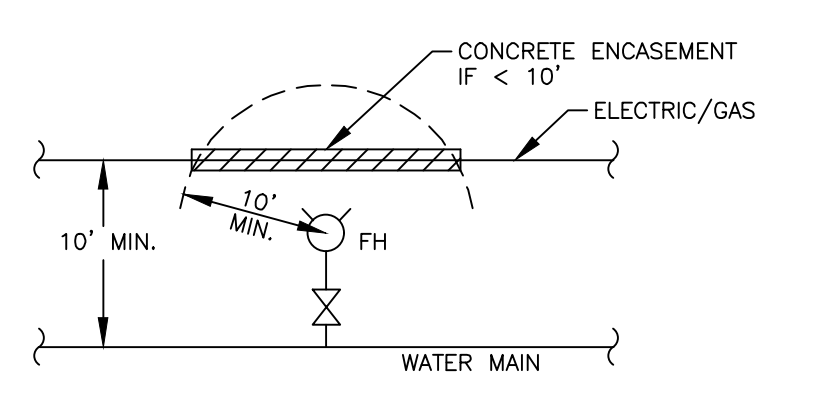
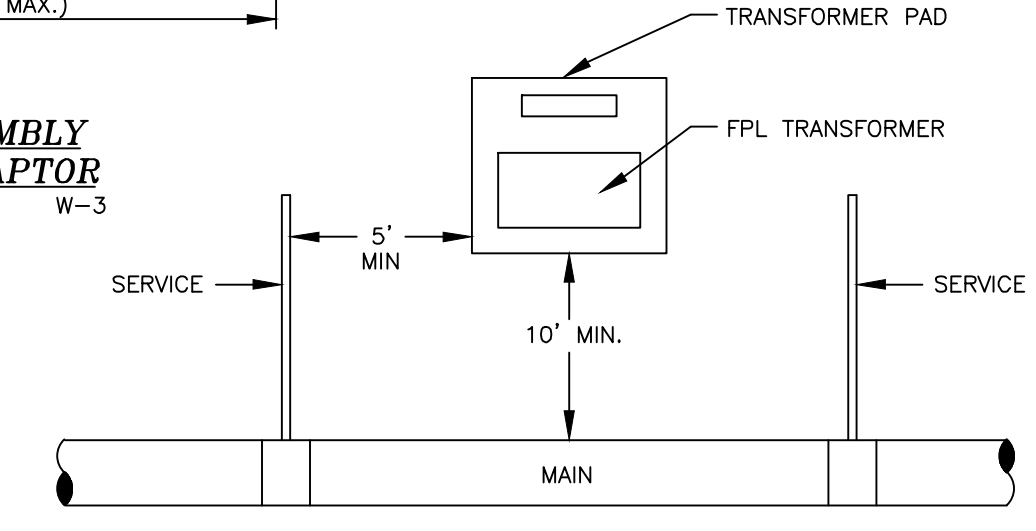
VALVE INSTALLATION
W-9



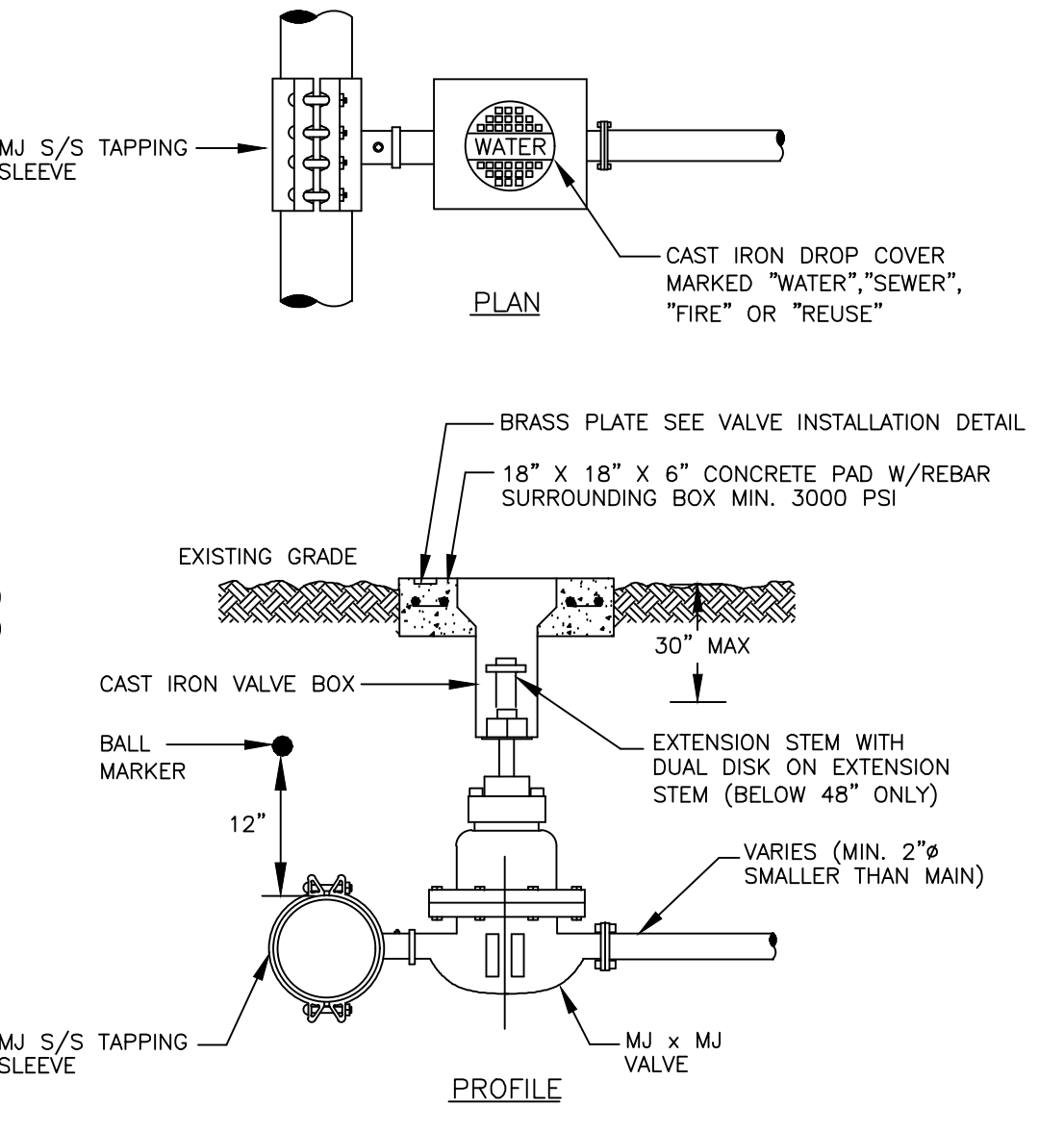
TEMPORARY BLOW-OFF ASSEMBLY DETAIL
W-6



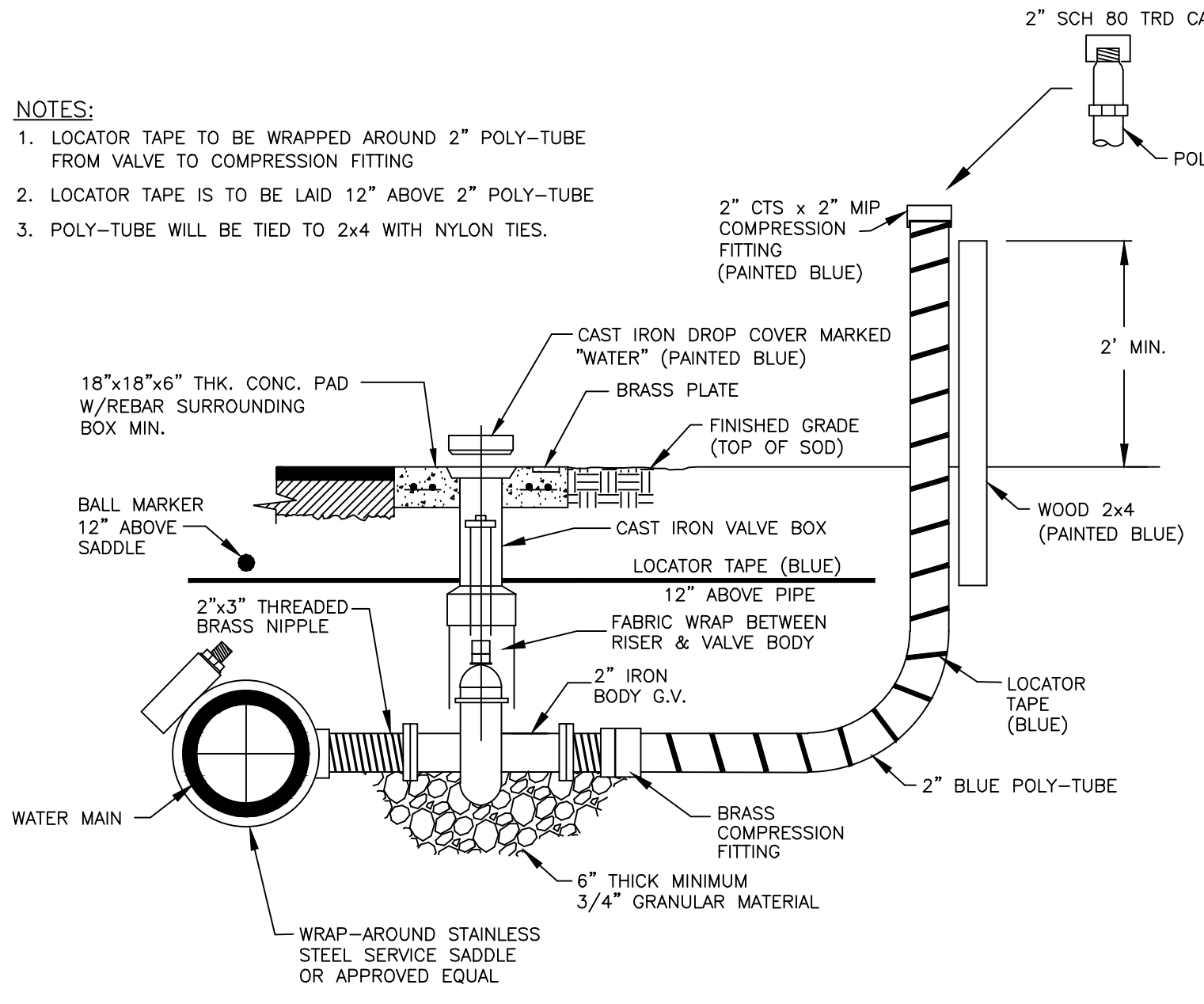
PERMANENT BLOW-OFF ASSEMBLY DETAIL
W-5



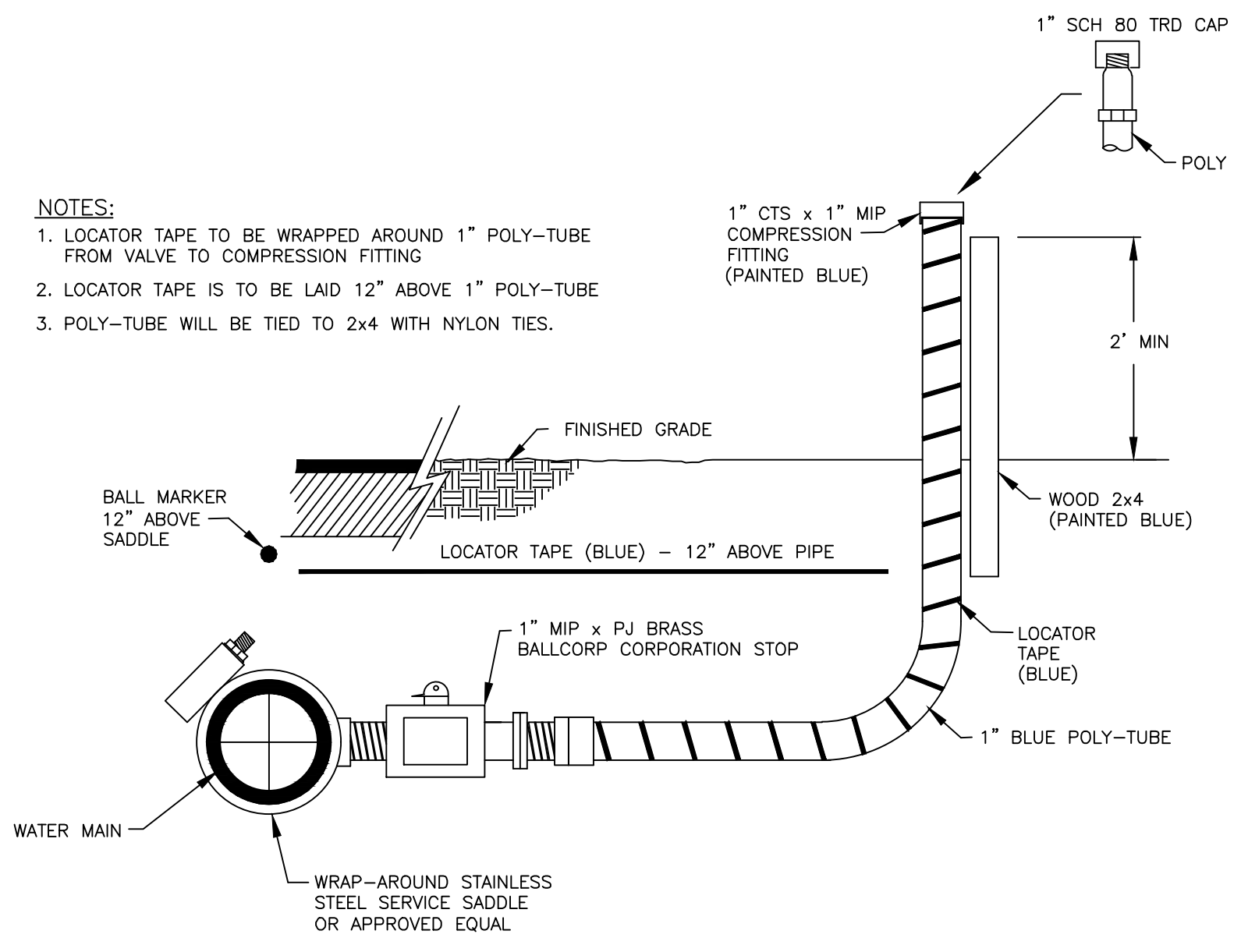
ELECTRICAL / GAS CLEARANCE
W-15



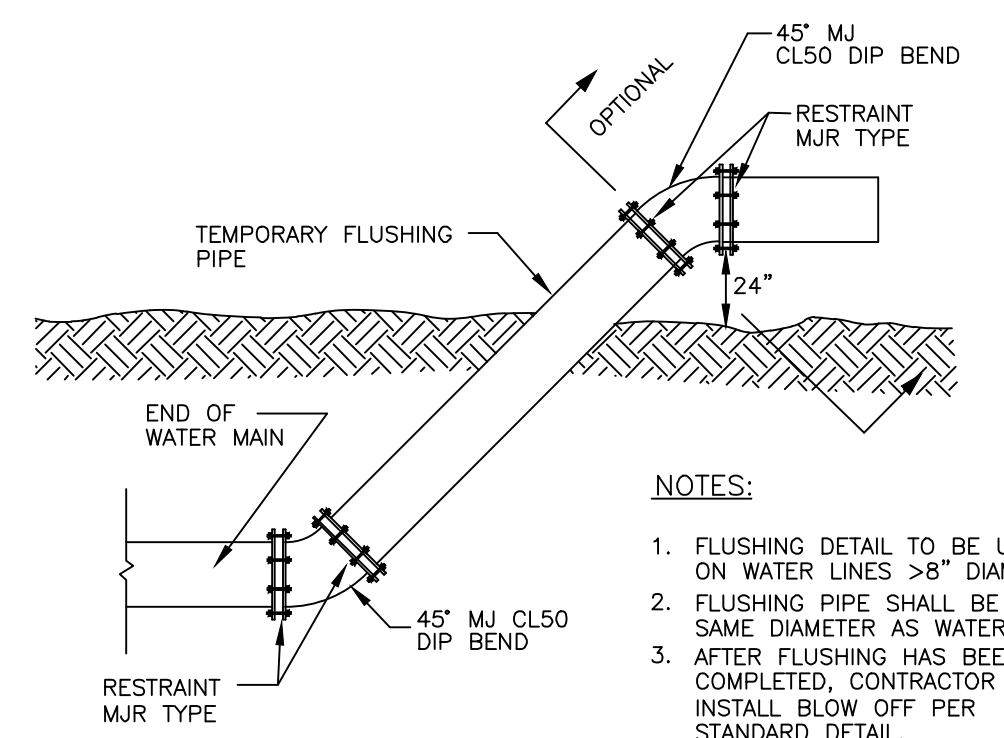
TAPPING SLEEVE AND VALVE
W-11



2" POTABLE WATER SERVICE
W-12



1" POTABLE WATER SERVICE
W-13



WATER MAIN FLUSHING DETAIL
W-8

B.S.U. DETAIL SHEETS MUST REMAIN AS IS (NO ALTERATIONS) IF ADDITIONAL DETAILS ARE REQUIRED SUBMIT ON SEPARATE SHEET

CLIENT:	PROJECT:
WATER DETAILS	
11900 E. TERRY STREET BONITA SPRINGS, FLORIDA 34135 PHONE: (239) 992-0711 FAX: (239) 992-9223	
SCALE: NOT TO SCALE	DATE: JANUARY 2018
DWG #: WDET.DWG	SHEET OF



DETAIL W-7 DELETED
DETAIL W-10 DELETED
DETAIL W-14 DELETED

CONSULTANTS COMMENTS: